

# Robertshaw

INDUSTRIAL PRODUCTS DIVISION

Sales Manual Section 160  
PRODUCT SPECIFICATION "MASS"  
(For Temperature Regulator Service)

## Style "MASS" Valve Assembly

- FEATURES
- Sizes 1 1/2-2"
- Stainless Steel Body
- 316 SS Trim
- Single-seated...Piston Balanced...Direct-Acting
- Piston located above steam flow line for self-cleaning during operation
- Fully modulating provides greater sensitivity
- "Lifetime" Teflon\* chevron stem
- maintenance free packing
- Quick-disconnect stem
- Non-sticking poppet.-no chatter no rattle
- Tight closing
- Choice of connections

### GENERAL DESCRIPTION

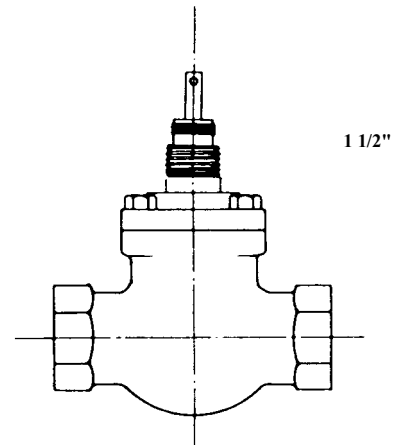
The Robertshaw Type "MASS" valve is similar to the "MA" (bronze body) except it has a stainless steel body for applications that have corrosive atmosphere or process.

### SPECIFICATIONS

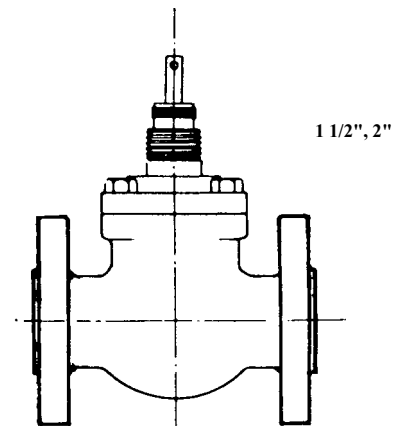
**Type:** ..... Single-seated, fully balanced  
**Sizes:** ..... 1 1/2 and 2"  
**Action:** Direct-acting only (closes on downward stem movement)  
Fully modulating in action.  
**Connections:** ..... Female threaded ends – 1 1/2"  
Class 300 ANSI flanges 1 1/2 and 2"

#### Materials:

**Body** ..... Cast Stainless Steel  
**Stem** ..... Highly finished 316 SS  
**Trim** ..... Seats & poppets 316 SS  
**Packing** ..... Teflon\* chevrons (spring loaded)  
**Other parts** ..... Stainless Steel  
**Capacity** ..... See C<sub>v</sub> ratings in Dimensions table  
\*Teflon is a registered trade name of DuPont Company



*Direct-acting only*



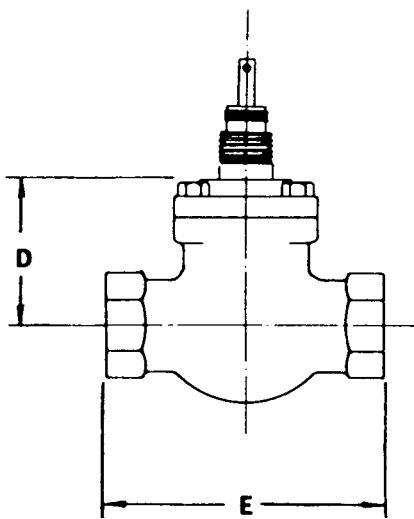
Type "MASS" used with self-actuated temperature regulator series.

Maximum Recommended Pressure Drops, PSI\*

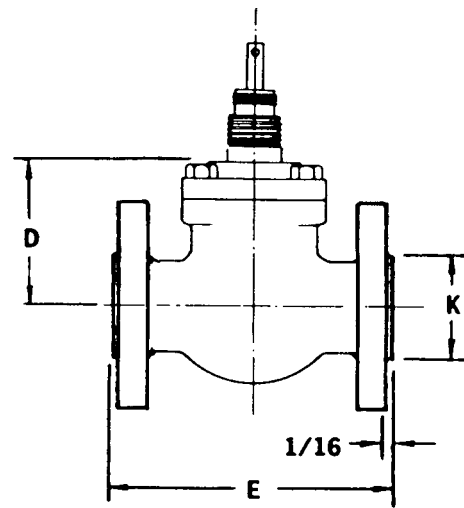
SATR SERIES						
Valve Size In. (Port)	RT-1001	RT-1003	RT-1004	RT-1007	RT-1009	RT-1011
1 1/2"	250	250	250	250	250	250
2"	150	150	150	150	150	150

**DIMENSIONS**

E 300 Ib. ANSI RF Flanges										
Valve Size	C <sub>v</sub>	D	Screwed	Flanged	Flange Dia.	Flange Thickness	Bolt Circle	Number Bolts	Bolt Hole Dia.	K
1 1/2	30	5-31/32	8-13/16	9-1/4	6-1/8	13/16	4-1/2	4	7/8	2-7/8
2"	49	7-9/16		10-1/2	6-1/2	7/8	5	8	3/4	3-9/16



1 1/2" SIZES



1 1/2" 2" SIZES

NOTE: Maximum factory test allowable leakage is 0.01 % of rated capacity at 50, 75 and 100 psi (ANSI Class IV).

**Maximum Valve Design Ratings:  
(Supply Pressure and Allowable Pressure Drop)**

Maximum pressure: .....740 psi @ 100 F

Maximum temperature: .....450 F @ 600 psi

Max. Pressure Drop: 1 1/2" - 250 psi  
2" - 150 psi

**Robertshaw**

**U.S.A. and CANADA**

Robertshaw Industrial Products Division

1602 Mustang Drive

Maryville, TN 37801

Phone: (865) 981-3100 Fax: (865) 981-3168

<http://www.robertshawindustrial.com>

**Exports**

Invensys Appliance Controls

2809 Emerywood Parkway

P.O. Box 26544

Richmond, Virginia 23261-6544

Phone: (804) 756-6500 Fax: (804) 756-6561